

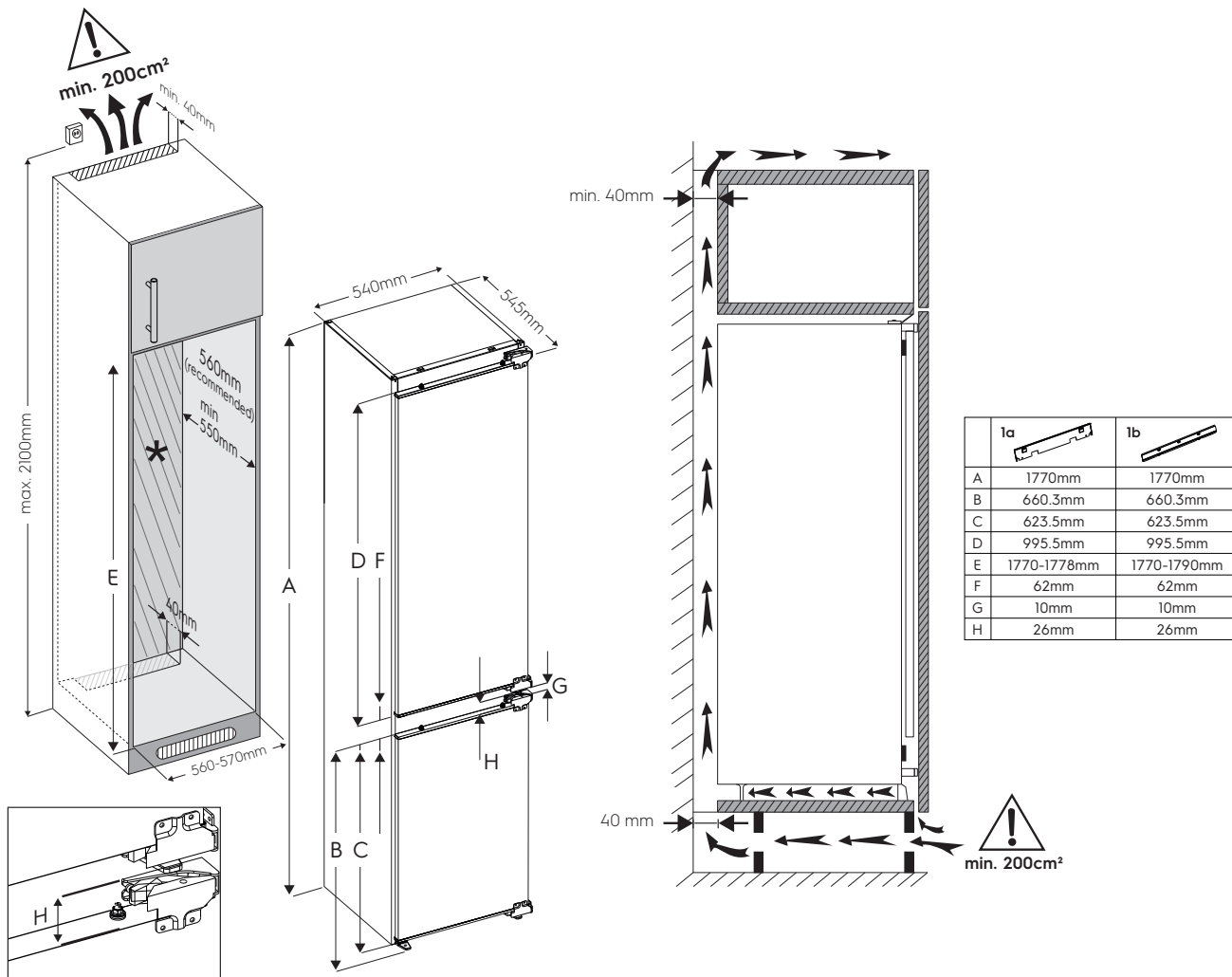
Dimension Guide

Built-in Bottom Freezer Refrigerator

Model:
ENN2852TOW

Dimensions

	width	height	depth
Product (mm).	540	1770	545



Please note! Dimensions to be used as a guide only. All customers MUST refer to the user manual supplied with the product for detailed installation instructions.

© 2022 Electrolux S.E.A PTE. LTD. E_DIM_ENN2852TOW_Mar22