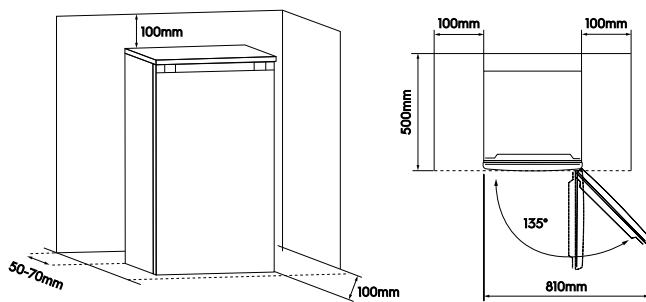
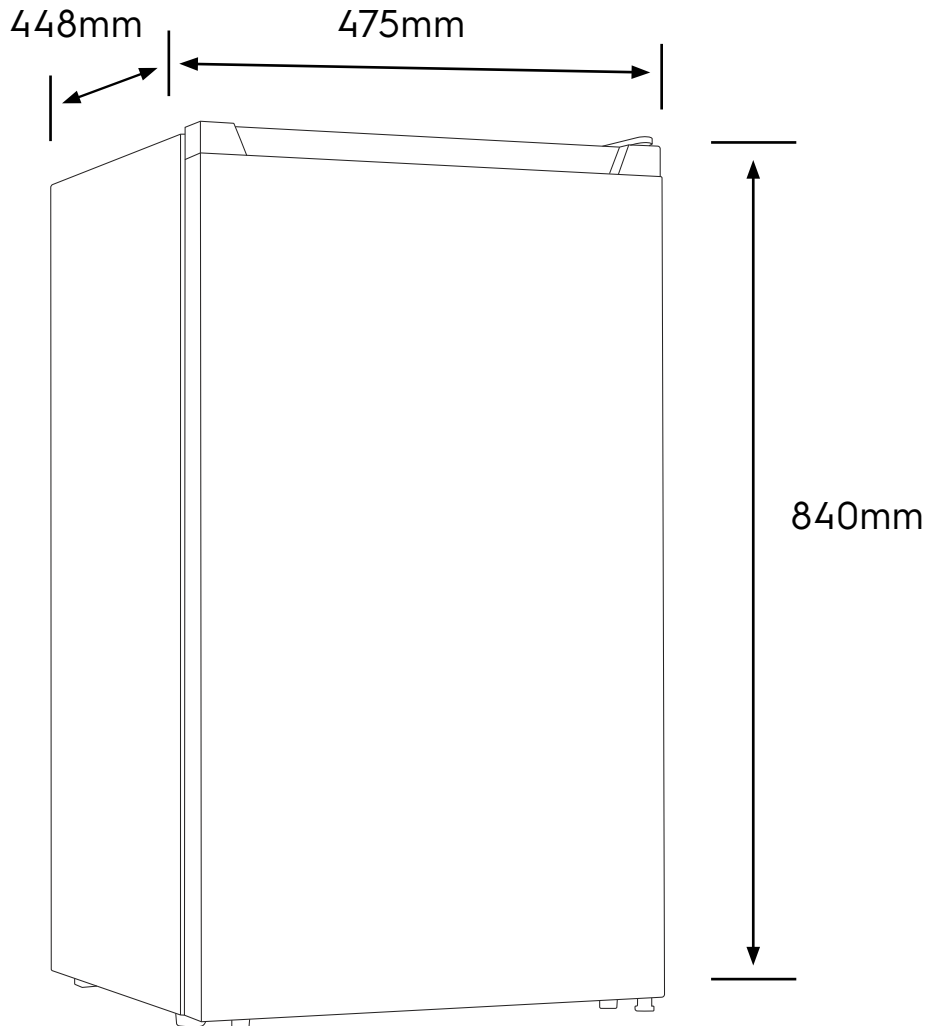


Dimension Guide

Bar Fridge

Model:
EBCD101

Dimensions			
	width	height	depth
Product (mm)	475	840	448



Suggest: It is advisable for there to be 50-70mm of space from the back to the wall, at least 100mm from its top, at least 100mm from its side to the wall and a clear space upfront to allow the doors to open 135°. As shown in follow diagrams.

Please note! Dimensions to be used as a guide only. All customers MUST refer to the user manual supplied with the product for detailed installation instructions.
© 2022 Electrolux S.E.A PTE. LTD. E_DIM_EBCD101_Mar22